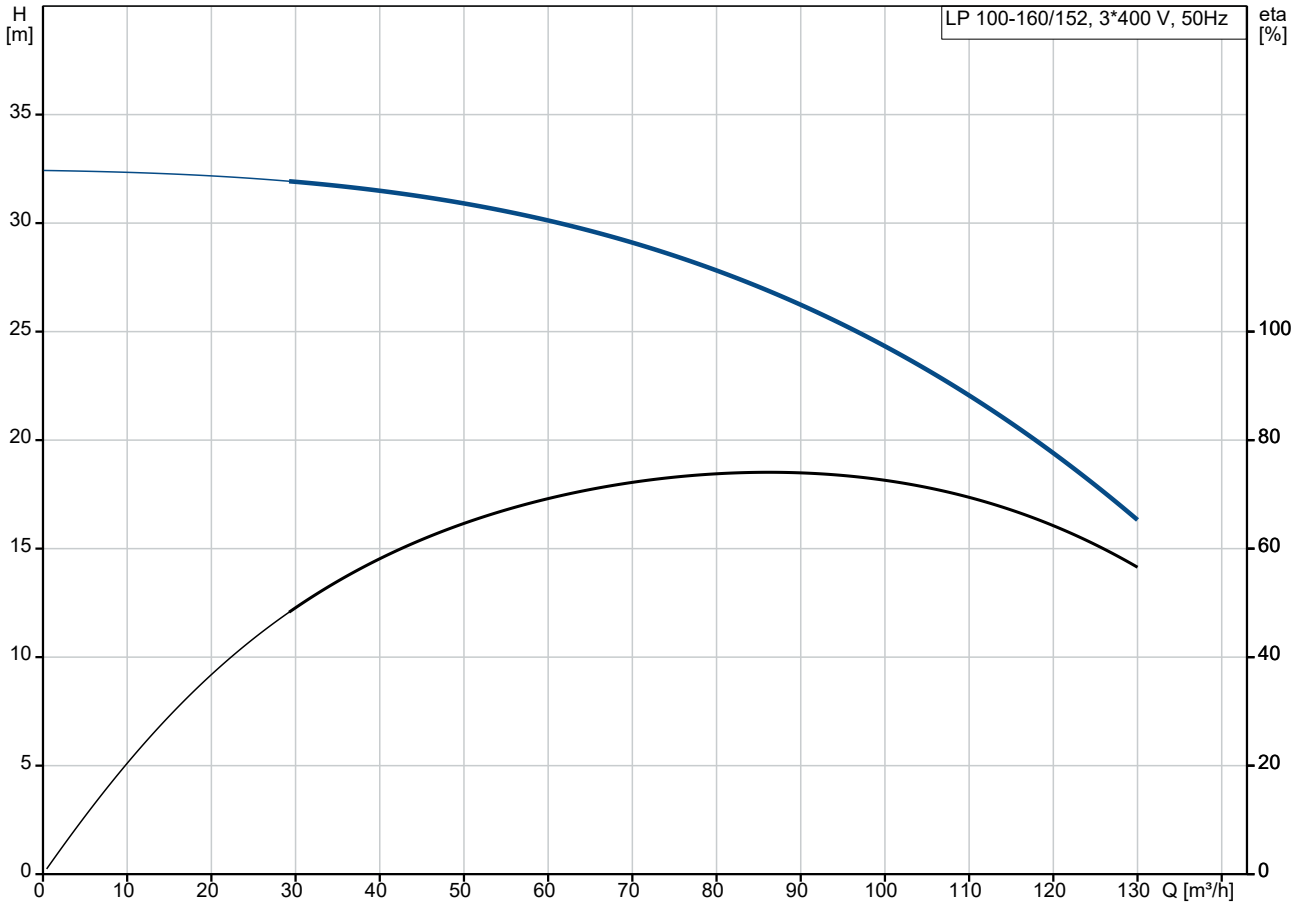
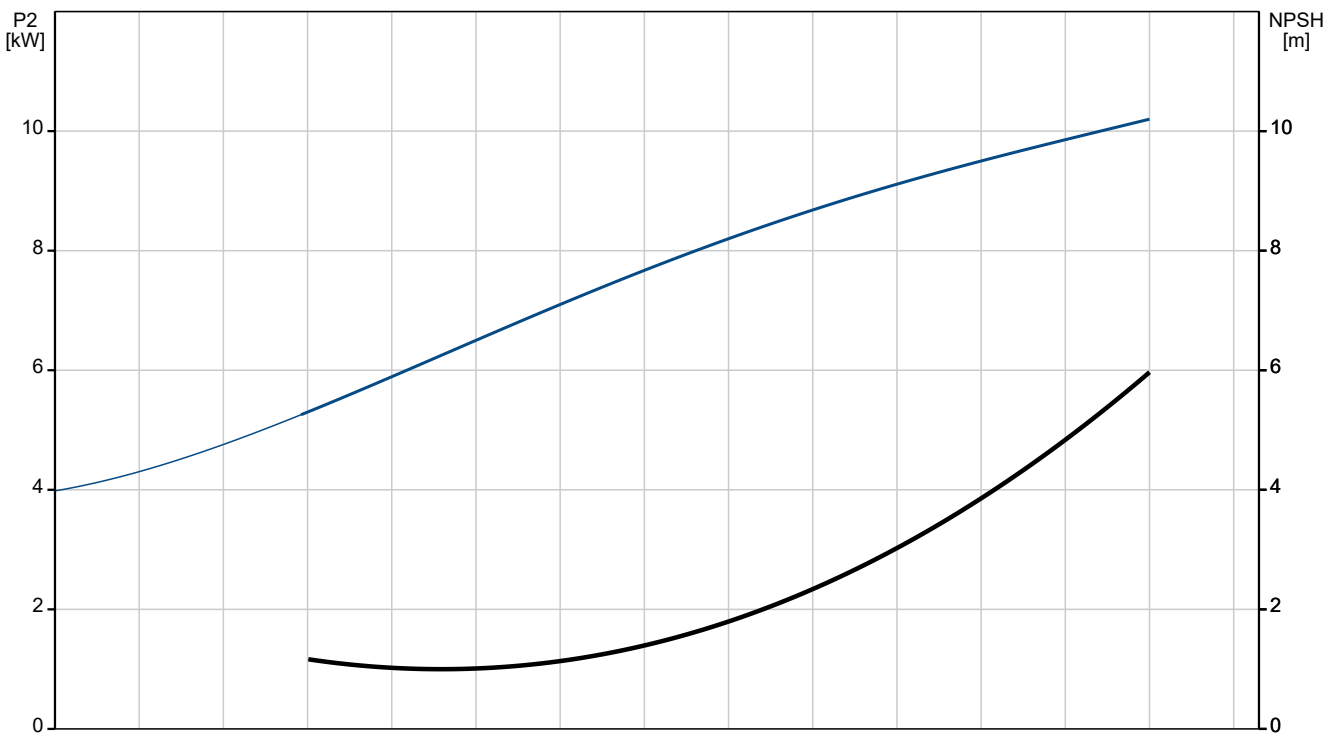


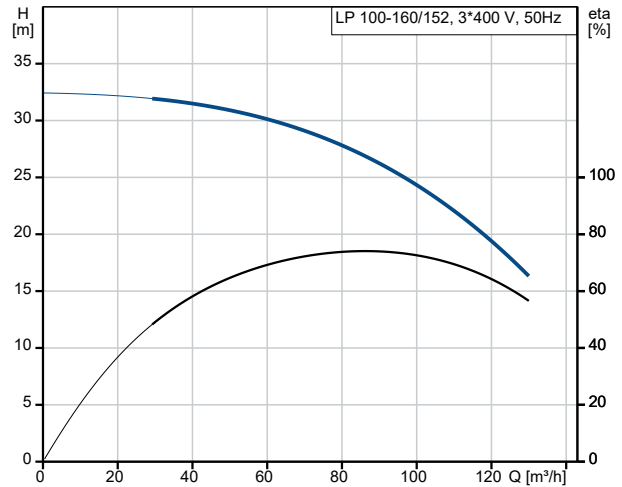
## 48066754 LP 100-160/152 A-F-A-BBUE 50 Hz



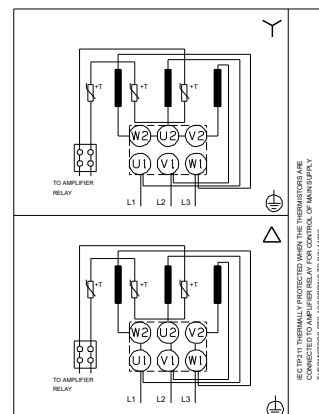
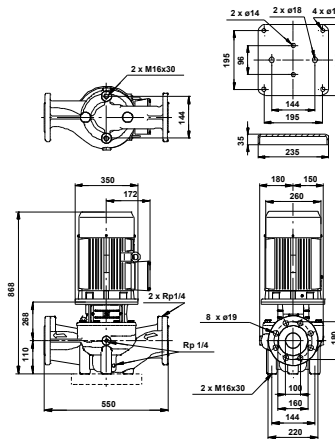
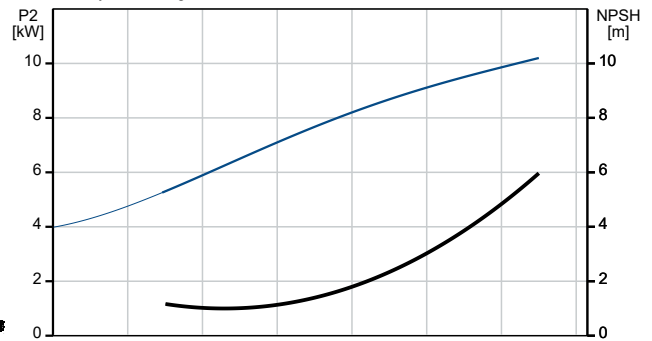
Pumped liquid = Water  
 Liquid temperature during operation = 20 °C  
 Density = 998.2 kg/m³



Description	Value
<b>General information:</b>	
Product name:	LP 100-160/152 A-F-A-BBUE
Product No:	48066754
EAN number:	5700390808938
<b>Technical:</b>	
Pump speed on which pump data are based:	2940 rpm
Rated flow:	87 m <sup>3</sup> /h
Rated head:	27 m
Actual impeller diameter:	152 mm
Impeller nom:	160 mm
Primary shaft seal:	BBUE
Pump No:	48060054
Pump version:	A
Model:	C
<b>Materials:</b>	
Pump housing:	Cast iron
Pump housing:	EN-JL1040
Pump housing:	ASTM Class 35-40
Impeller:	Stainless steel
Impeller:	DIN W.-Nr. 1.4301
Impeller:	AISI 304
Material code:	A
<b>Installation:</b>	
Maximum ambient temperature:	40 °C
Max pressure at stated temp:	16 bar / 140 °C
Flange standard:	DIN
Pipe connection:	DN 100
Pressure rating:	PN 16
Port-to-port length:	550 mm
Flange size for motor:	FF300
Connect code:	F
<b>Liquid:</b>	
Pumped liquid:	Water
Liquid temperature range:	0 .. 140 °C
Selected liquid temperature:	20 °C
Density:	998.2 kg/m <sup>3</sup>
<b>Electrical data:</b>	
Motor type:	160MB
Rated power - P2:	11 kW
Mains frequency:	50 Hz
Rated voltage:	3 x 380-415D V
Rated current:	21.4 A
Starting current:	730-810 %
Cos phi - power factor:	0.89-0.87
Rated speed:	2920-2930 rpm
Number of poles:	2
Enclosure class (IEC 34-5):	IP55
Insulation class (IEC 85):	F
Built-in motor protection:	PTC
Motor No:	85817824
<b>Others:</b>	
Net weight:	132 kg
Gross weight:	173 kg
Shipping volume:	0.37 m <sup>3</sup>

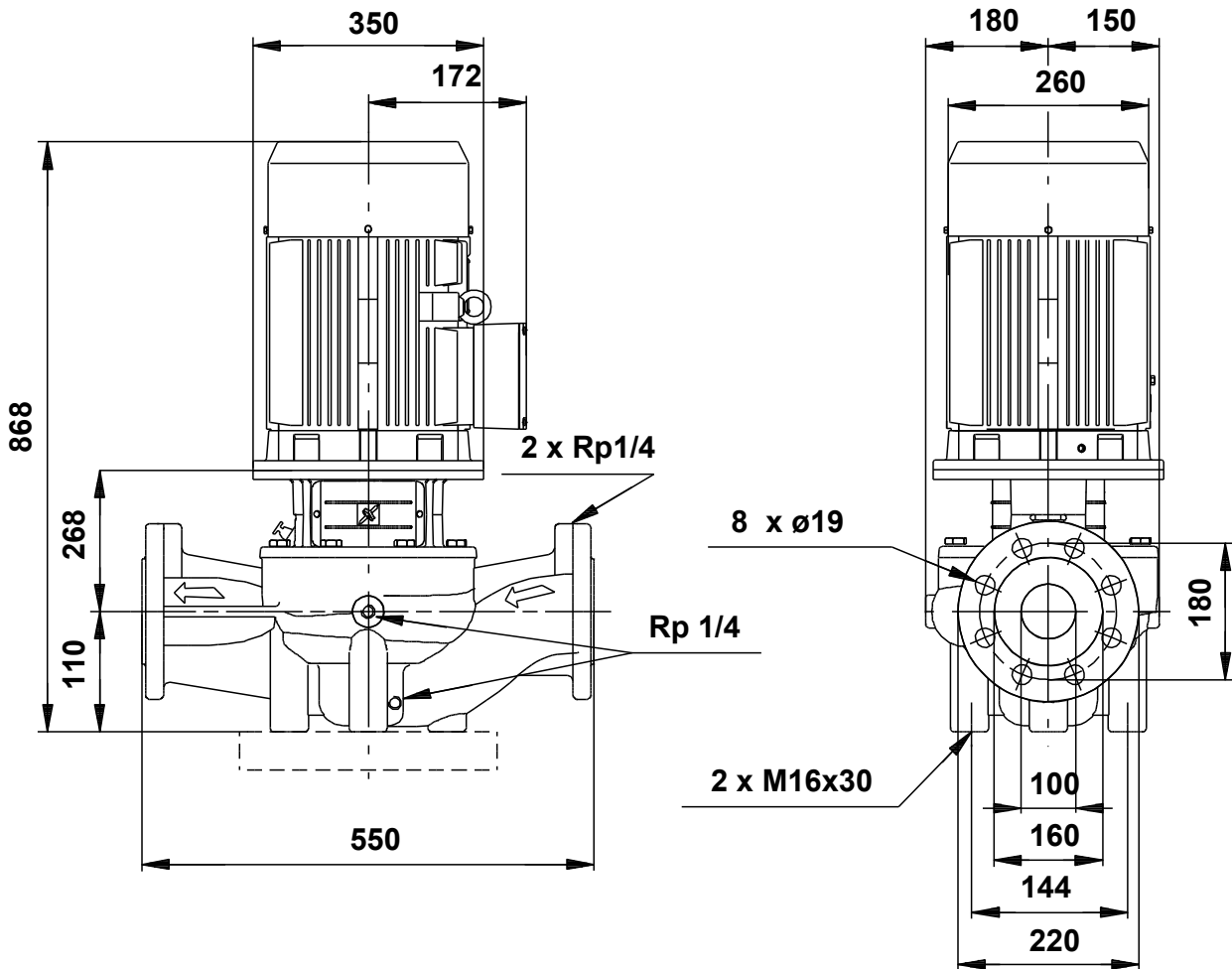
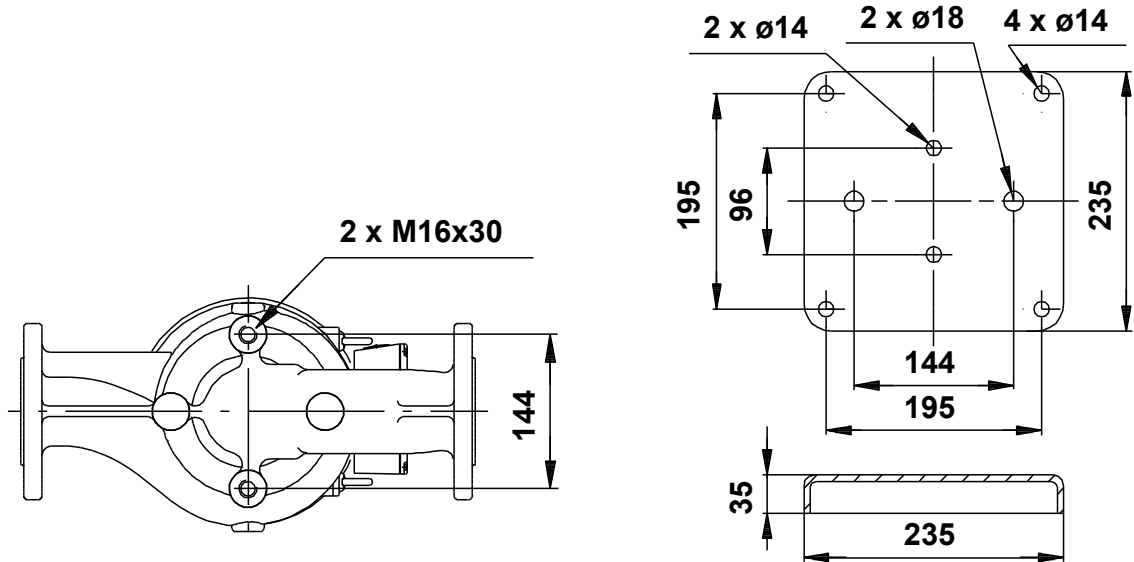


Pumped liquid = Water  
Liquid temperature during operation = 20 °C  
Density = 998.2 kg/m<sup>3</sup>



IEC 60755 THERMAL PROTECTED MAINS TERMINALS ARE CONNECTED TO AMPLIFIER RELAY FOR CONTROL OF MAINS SUPPLY THERMOSTORE PTC ACCORDING TO DIN 4482

## 48066754 LP 100-160/152 A-F-A-BBUE 50 Hz



Note! All units are in [mm] unless others are stated.  
 Disclaimer: This simplified dimensional drawing does not show all details.